

300A-CP Data Table	
Number of contacts	1
Ordering number	300A-CP

Contact Information

BIRNS Aquamate™ LLC

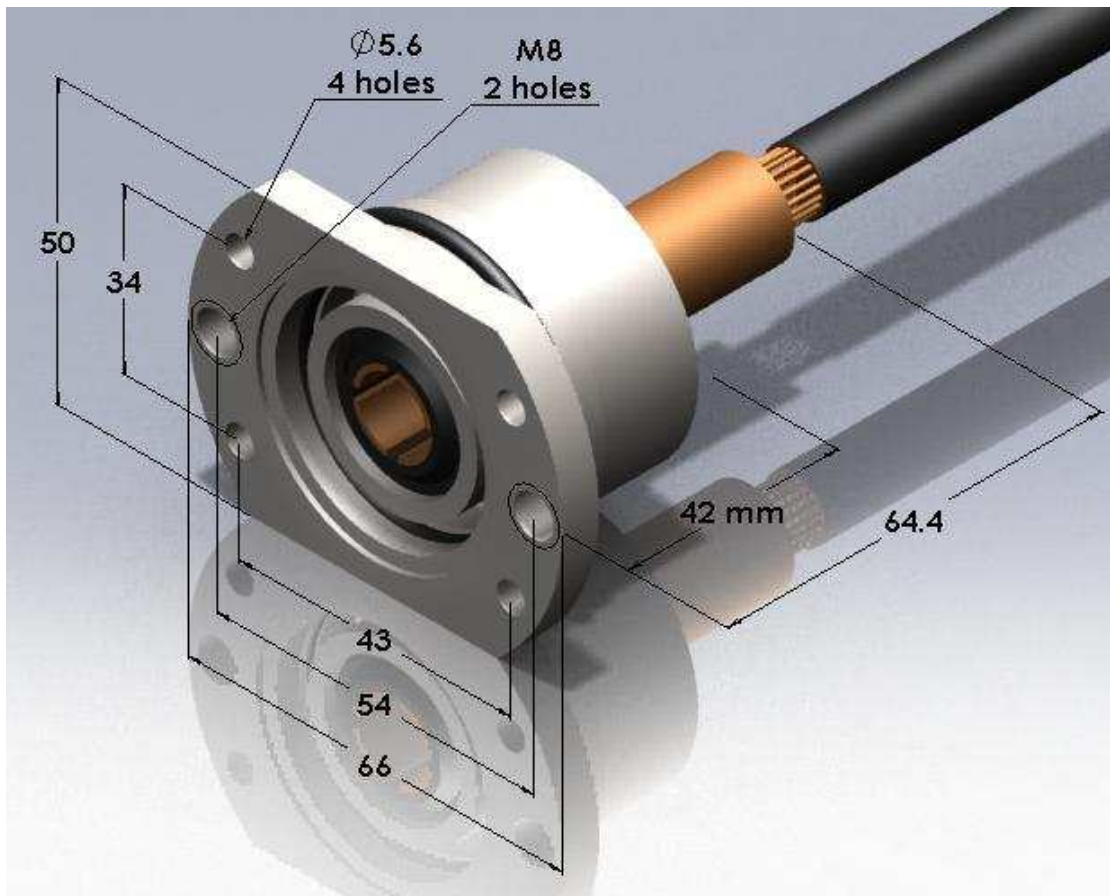
558 Mineral Spring Ave, Unit BF-127, Pawtucket, RI 02860

sales@birnsaquamate.com

Tel: 401-723-4242

Fax: 401-723-4243

www.birnsaquamate.com



300A-FR Data Table	
Number of contacts	1
Ordering number	300A-FR

300A data

Contact Layout – 300A	
Number of contacts	1
Contact layout	

Contact Information

BIRNS Aquamate™ LLC

558 Mineral Spring Ave, Unit BF-127, Pawtucket, RI 02860

sales@birnsaquamate.com

Tel: 401-723-4242

Fax: 401-723-4243

www.birnsaquamate.com

Specification – 300A			
Operational		Material	
Max Current	300A	Molding	Low Carbon Neoprene
Max Voltage	300V	Bulkhead	316 Stainless
Insulation	>200 megaohm	Contacts	Gold plated per MIL-G 45204 Type II, Grade D, Class 00
Contacts	<0.01 ohm	Pin	Phosphor Bronze
Matings	>500	Sockets	Brass
Temperature	-5C - +65C	In-line cable	AWG 2/0 , 1248/30 stranding, EPDM jacket
Depth	>300 bar	BH leads	Per order

Contact Information

BIRNS *Aquamate*[™] LLC

558 Mineral Spring Ave, Unit BF-127, Pawtucket, RI 02860

sales@birnsaquamate.com

Tel: 401-723-4242

Fax: 401-723-4243

www.birnsaquamate.com