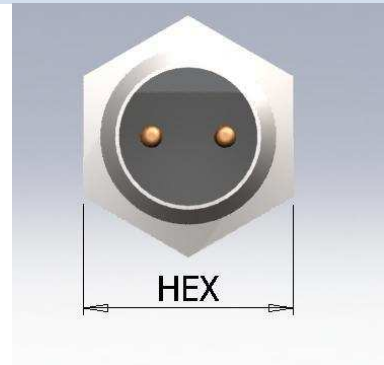
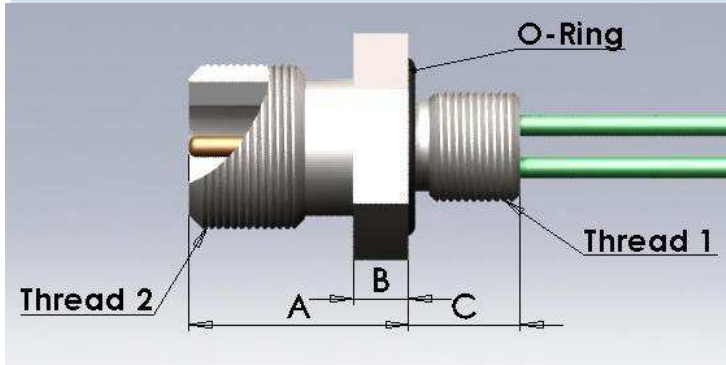
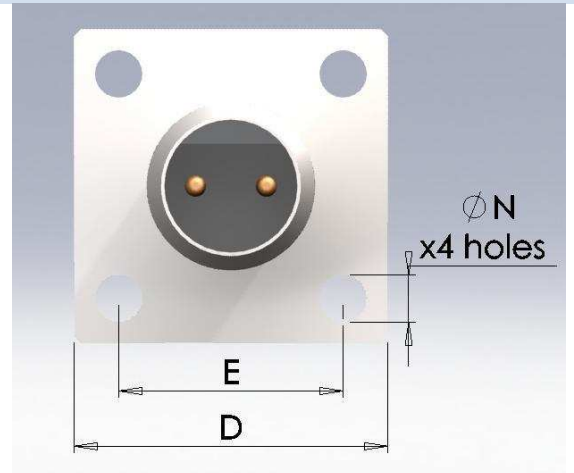
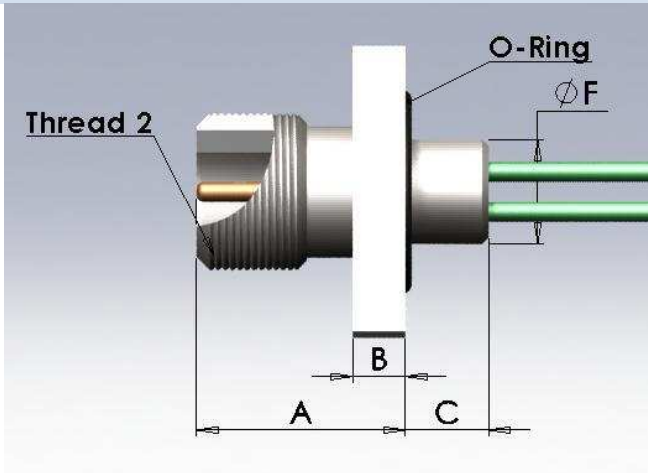


BCR (5507)



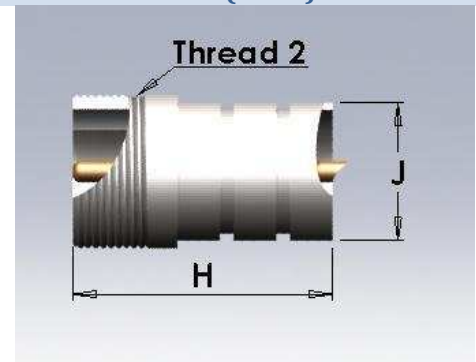
FCR (5506)



CCR (5502)



CCR-AT (55A2)



Contact Information

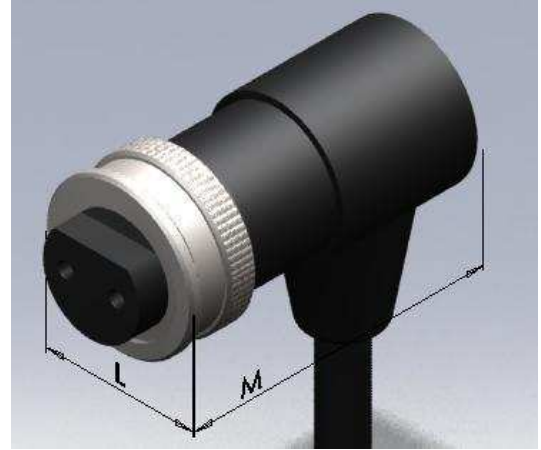
BIRNS Aquamate™ LLC
 558 Mineral Spring Ave, Unit BF-127, Pawtucket, RI 02860
sales@birnsaquamate.com

Tel: 401-723-4242
 Fax: 401-723-4243
www.birnsaquamate.com

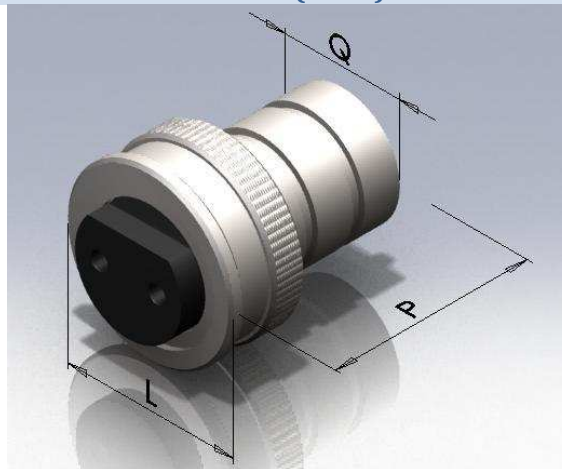
CCP (5501)



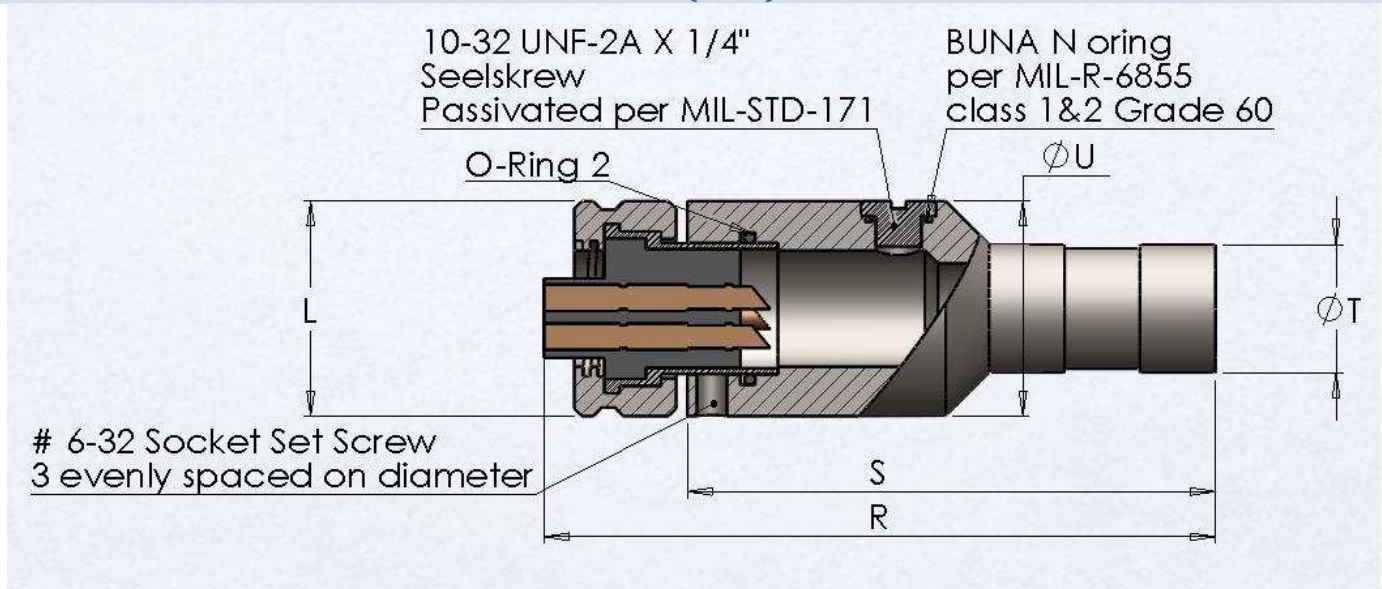
CCP-RA (55R1)



CCP-AT (55A1)



PBOF (55P1)



Contact Information

BIRNS Aquamate™ LLC

558 Mineral Spring Ave, Unit BF-127, Pawtucket, RI 02860

sales@birnsaquamate.com

Tel: 401-723-4242

Fax: 401-723-4243

www.birnsaquamate.com

5500 SERIES Data Table			
Shell Size	15	20	24
O-Ring (Nitrile)	2-116	2-118	2-122
Thread 1	5/8-18UNF-2A	3/4-16UNF-2A	1-14UNF-2A
Thread 2	15/16-20	1 1/4-9	1 1/2-9
HEX [mm]	28.4(1.12 IN.)	31.8(1.25 IN.)	38.1(1.5 IN.)
O-Ring 2	Contact MFG.	Contact MFG.	Contact MFG.
Dim. A [mm]	31.8	38	38.1
Dim. B [mm]	8	9.5	9.5
Dim. C [mm]	12.7	12.7	12.7
Dim. D [mm]	38	44.5	50.8
Dim. E [mm]	25.4	31.8	38.1
Dim. F [mm]	17.2	18.9	25.15
Dim. G [mm]	45.2	62	124
Dim. H [mm]	37.3	40.4	42.7
Dim. J [mm]	19.8	27	33.5
Dim. K [mm]	45.2	62	124
Dim. L [mm]	27.7	38	44.5
Dim. M [mm]	70	82	98.3
Dim. N [mm]	5.2	7	7.4
Dim. P [mm]	39.4	42	42.2
Dim. Q [mm]	17.3	27.7	33.6
Dim. R [mm]	96.52	102.62	106.43
Dim. S [mm]	69.85	74.68	81.79
Dim. T [mm]	17.07	17.07	17.07
Dim. U [mm]	28.45	38.1	44.45

5500 SERIES Ordering Table					
55	0	1	-20	13	-0003
Series	A-Attachable C-Cap (dust cap) P-Pressure Balanced (oil filled) R-Right Angle 0-600V Standard 1-1000V 2-2000V	Model Type: 1-CCP 2-CCR 6-FCR 7-BCR	Shell Size	Number Of Contacts	Length In Feet
Example:	55A1-1502-001 designates the following: series 55, attachable, model CCP, shell size 15, two contacts and length of one foot				

Contact Information

BIRNS Aquamate™ LLC

558 Mineral Spring Ave, Unit BF-127, Pawtucket, RI 02860

sales@birnsaquamate.com

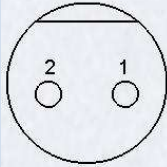
Tel: 401-723-4242

Fax: 401-723-4243

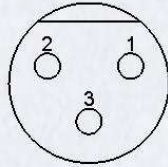
www.birnsaquamate.com

Contact Layout (female)- 5500 SERIES

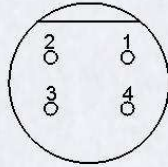
Shell size 15



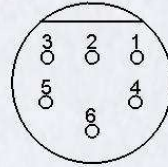
1502
AWG 14



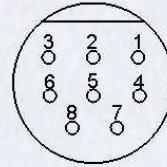
1503
AWG 14



1504
AWG 16

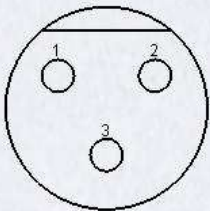


1506
AWG 16

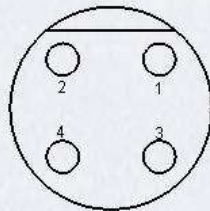


1508
AWG 16

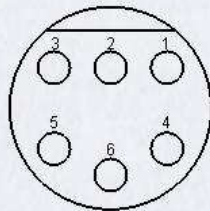
Shell size 20



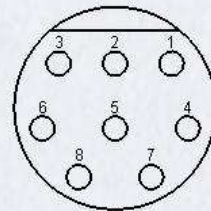
2003
AWG 10



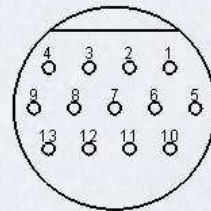
2004
AWG 10



2006
AWG 10

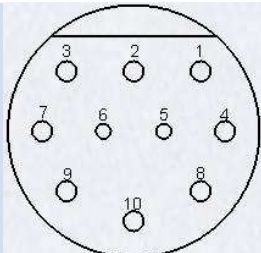


2008
AWG 14

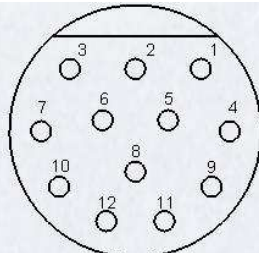


2013
AWG 16

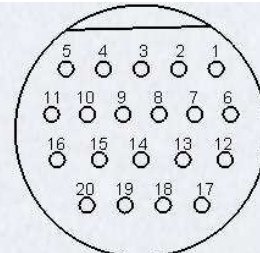
Shell size 24



2410
8 pins are AWG 10
2 pins are AWG 14



2412
AWG 14



2420
AWG 16

Contact Information

BIRNS Aquamate™ LLC

558 Mineral Spring Ave, Unit BF-127, Pawtucket, RI 02860

sales@birnsaquamate.com

Tel: 401-723-4242

Fax: 401-723-4243

www.birnsaquamate.com

Specification - 5500 SERIES

Operational		Material	
Max Current	10A: 2420 12A : 504,1506,1508,2013,2410,2412 13A: 2008 15A: 1502,1503,2006 18A: 2003,2004	Molding	Low Carbon Neoprene
Max Voltage	600V	Bulkhead	316 Stainless, Titanium (Aluminum optional for shell size 1500)
Insulation	>250 megaohm	Contacts	Gold plated per MIL-G 45204 Type II, Grade D, Class 00
Contacts	<0.01 ohm	Pin	Brass
Matings	>500	Sockets	Beryllium Copper
Temperature	-5C - +65C	Locking Sleeve Material	316 Stainless with Teflon coated threads, Titanium
Depth	>600 bar	In-line cable	AWG 16: 60cm (1.32 mm ²) 26/30 stranding AWG 18: 60cm, (0.82 mm ²) 16/30 stranding
		BH leads	AWG 16 60cm, Teflon 19/29 AWG 18 60cm, Teflon, 19/30

Wire Color Code & Cable Diameter- 5500 SERIES

Designated wire	Number of contacts on connector							
	2	3	4	6	8	12	13	20
Wire 1	Black	Black	Black	Black	Black	Black	Black	Contact manufacturer
Wire 2	White	White	White	White	White	White	White	
Wire 3		Green	Red	Red	Red	Red	Red	
Wire 4			Green	Green	Green	Green	Green	
Wire 5				Orange	Orange	Orange	Orange	
Wire 6				Blue	Blue	Blue	Blue	
Wire 7					White/Black	White/Black	White/Black	
Wire 8					Red/Black	Red/Black	Red/Black	
Wire 9						Green/Black	Green/Black	
Wire 10						Orange/Black	Orange/Black	
Wire 11						Blue/Black	Blue/Black	
Wire 12						Black/White	Black/White	
Wire 13							Red/White	
Cable OD [mm]	8	14.2	15.2	18.3	15.1	16	18.2	

Contact Information

BIRNS Aquamate™ LLC

558 Mineral Spring Ave, Unit BF-127, Pawtucket, RI 02860

sales@birnsaquamate.com

Tel: 401-723-4242

Fax: 401-723-4243

www.birnsaquamate.com