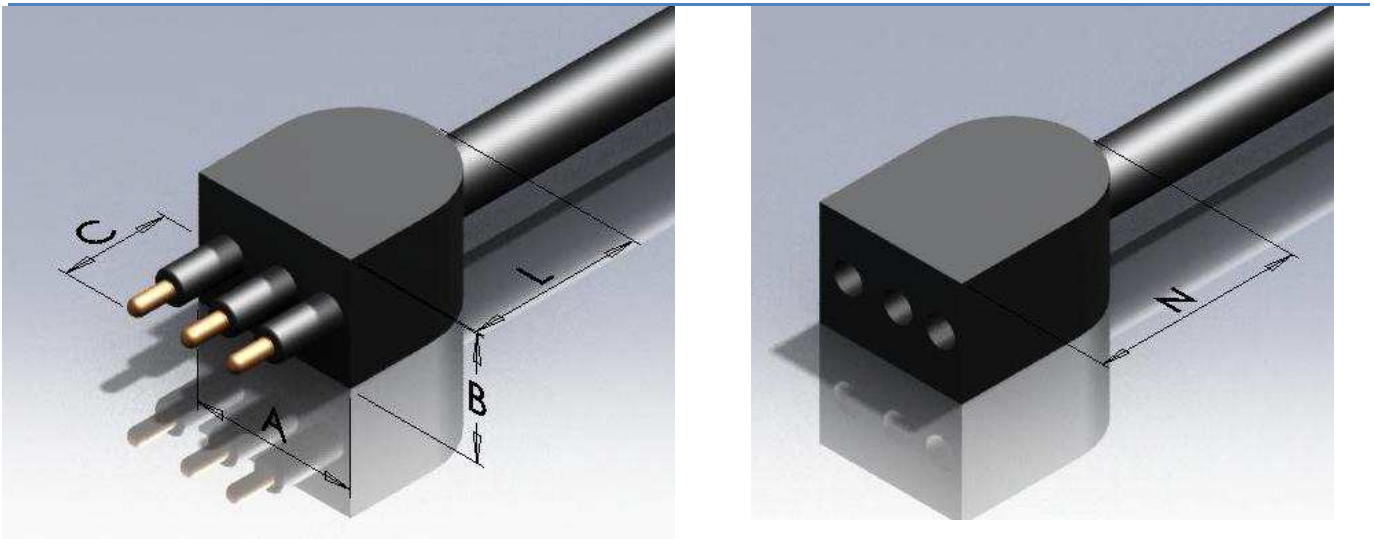


BIRNS *Aquamate*™ LLC

Flat (FAWL, FAWM; FL)

Inline Connector (FAWLIL, FAWMIL; FLIL)



FAWLIL, FAWMIL, FLIL, FMIL Data Table

	FAWL/FL				FAWM	
Number of contacts	2	3	4	5	8	10
Dim. A [mm]	20	20	20	20	21	21
Dim. B [mm]	14.7	14.7	14.7	14.7	16	16
Dim. C [mm]	13	13	13	13	13	13
Dim. L [mm]	20.7	20.7	20.7	20.7	25	25
Dim. N [mm]	26.7	26.7	26.7	26.7	35	35
Cable OD [mm]	6	6.7	7	7.5	9.5	10
Cable current [A] FAWM/FAWL	7	7	7	7	7	7
Cable current [A] FM/FL	8	8	8	8	8	8
Ordering number for Female FAWL/FAWM	FAWLIL2F	FAWLIL3F	FAWLIL4F	FAWLIL5F	FAWMIL8F	FAWMIL10F
Ordering number for Male FAWL/FAWM	FAWLIL2M	FAWLIL3M	FAWLIL4M	FAWLIL5M	FAWMIL8M	FAWMIL10M
Ordering number for Female FL/FM	FLIL2F	FLIL3F	FLIL4F	FLIL5F	FMIL8F	FMIL10F
Ordering number for Male FL/FM	FLIL2M	FLIL3M	FLIL4M	FLIL5M	FMIL8M	FMIL10M
NOTE:	FAWL/FL: 2-5 contacts. FAWM: 8-10 contacts. FL has heavier pins than FAWL.					

Contact Information

BIRNS *Aquamate*™ LLC

558 Mineral Spring Ave, Unit BF-127, Pawtucket, RI 02860

sales@birnsaquamate.com

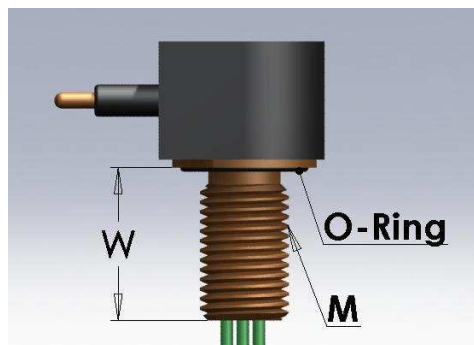
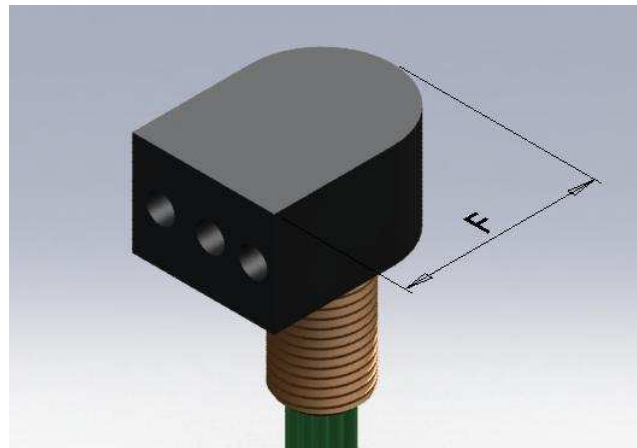
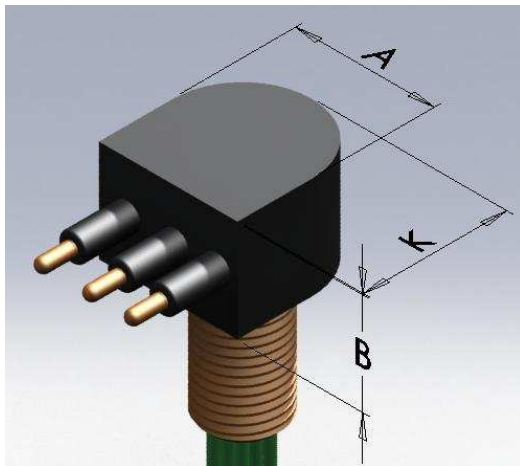
Tel: 401-723-4242

Fax: 401-723-4243

www.birnsaquamate.com

BIRNS *Aquamate*™ LLC

Bulk Head Connector (FAWL_{BH}, FAWMBH; FLB_H)



FAWL_{BH}, FAWMBH; FLB_H Data Table

	FAWL/FL				FAWM	
Number of contacts	2	3	4	5	8	10
M[inch thread]	7/16-20 UNF	7/16-20 UNF	7/16-20 UNF	7/16-20 UNF	7/16-20 UNF	7/16-20 UNF
Dim. A [mm]	20	20	20	20	21	21
Dim. B [mm]	14.7	14.7	14.7	14.7	16	16
Dim. K [mm]	20.7	20.7	20.7	20.7	25	25
Dim. F [mm]	26.7	26.7	26.7	26.7	35	35
Dim. W [mm]	19	19	19	19	12.5; 19; 25	12.5; 19; 25
O-Ring [material: Nitrile]	2-014	2-014	2-014	2-014	2-014	2-014
Ordering number for Female FAWL/FAWM	FAWBHL2F	FAWLBH3F	FAWLBH4F	FAWLBH5F	FAWMBH8F	FAWMBH10F
Ordering number for Male FAWL/FAWM	FAWLBH2M	FAWLBH3M	FAWLBH4M	FAWLBH5M	FAWMBH8M	FAWMBH10M
Ordering number for Female FL/FM	FLBH2F	FLBH3F	FLBH4F	FLBH5F	FMBH8F	FMBH10F
Ordering number for Male FL/FM	FLBH2M	FLBH3M	FLBH4M	FLBH5M	FMBH8M	FMBH10M
NOTE:	FAWL/FL: 2-5 contacts. FAWM: 8-10 contacts. FL has heavier pins than FAWL.					

Contact Information

BIRNS *Aquamate*™ LLC

558 Mineral Spring Ave, Unit BF-127, Pawtucket, RI 02860

sales@birnsaquamate.com

Tel: 401-723-4242

Fax: 401-723-4243

www.birnsaquamate.com

Contact Layout - FAWL, FAWM; FL

	FAWL/FL				FAWM	
Number of contacts	2	3	4	5	8	10
Contact layout (Female)						

Specification - FAWL, FAWM; FL

Operational		Material	
Max Current	FAWL/FAWM: 7A FL/FM: 8A	Molding	Low Carbon Neoprene
Max Voltage	300V	Bulkhead	2-5 contacts: Brass 8-10 contacts: Brass, 316 Stainless, Titanium
Insulation	>200 megaohm	Contacts	Gold plated per MIL-G 45204 Type II, Grade D, Class 00
Contacts	<0.01 ohm	Pin	Phosphor Bronze
Matings	>750	Sockets	Beryllium Copper
Temperature	-5C - +65C	Location Pin	316 Stainless
Depth	>600 bar	In-line cable	2-4 contacts: 60cm, AWG 18 (0.82 mm ²) 16/30 stranding 5-10 contacts: 60cm, AWG 20 (0.5 mm ²) 26/34 stranding
		BH leads	30cm, AWG 20 Teflon, (0.6 mm ²) 19/32 stranding

Wire Color Code - FAWLIL, FAWMIL; FLIL

Designated wire	Number of contacts on connector					
	2	3	4	5	8	10
Wire 1	Black	Black	Black	Black	Black	Black
Wire 2	White	White	White	White	Green	White
Wire 3		Green	Red	Red	Brown	Red
Wire 4			Green	Brown	Blue	Green
Wire 5				Blue	Yellow	Orange
Wire 6					Blue/Black	Blue
Wire 7					Yellow/Black	Brown
Wire 8					Green/Black	Yellow
Wire 9						Gray
Wire 10						Violet

Contact Information

BIRNS *Aquamate*™ LLC

558 Mineral Spring Ave, Unit BF-127, Pawtucket, RI 02860

sales@birnsaquamate.com

Tel: 401-723-4242

Fax: 401-723-4243

www.birnsaquamate.com