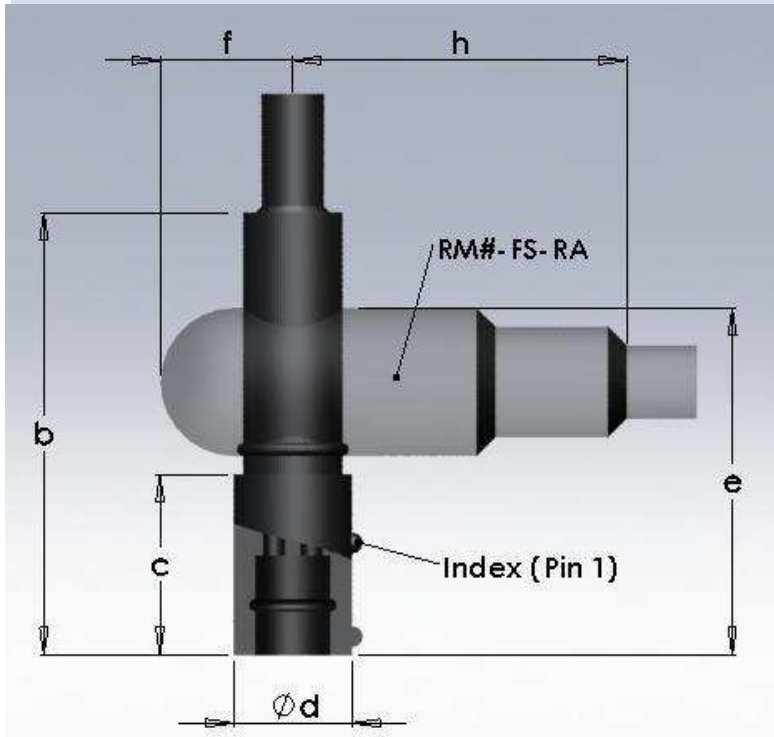
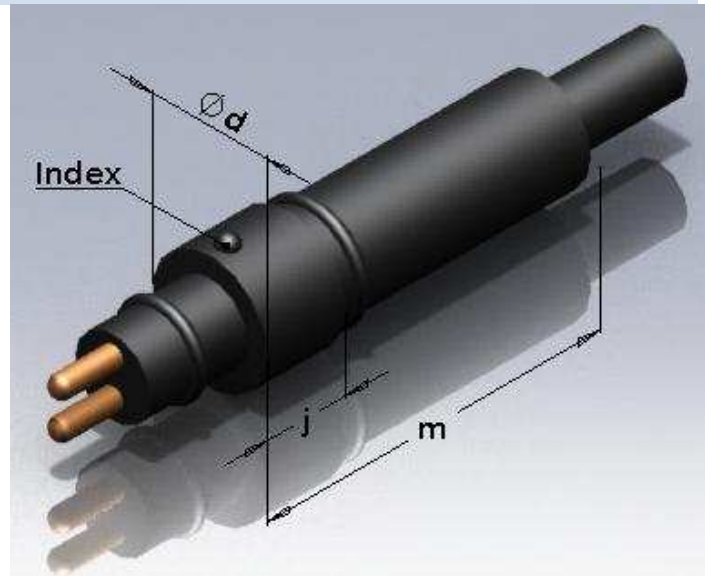


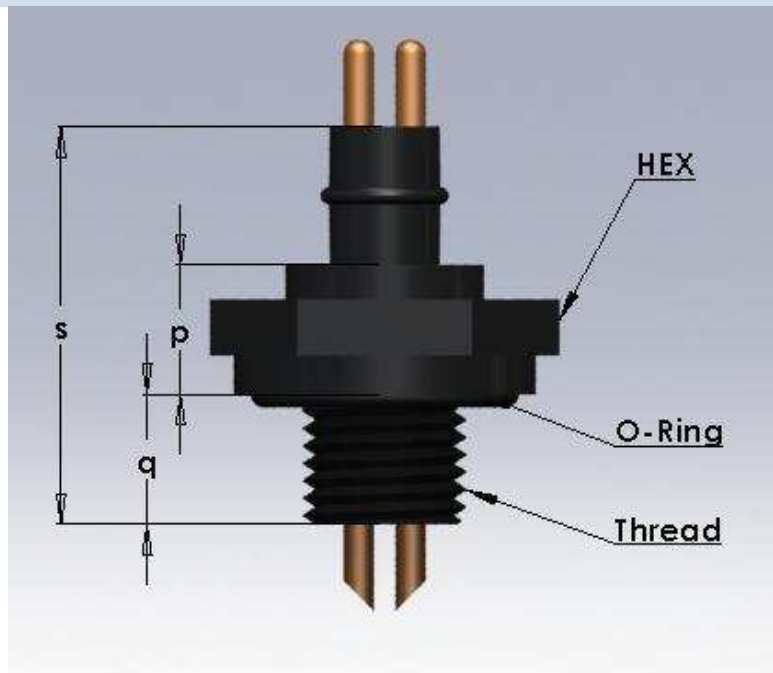
RM#-FS



RM#-MP



XS#-BCL

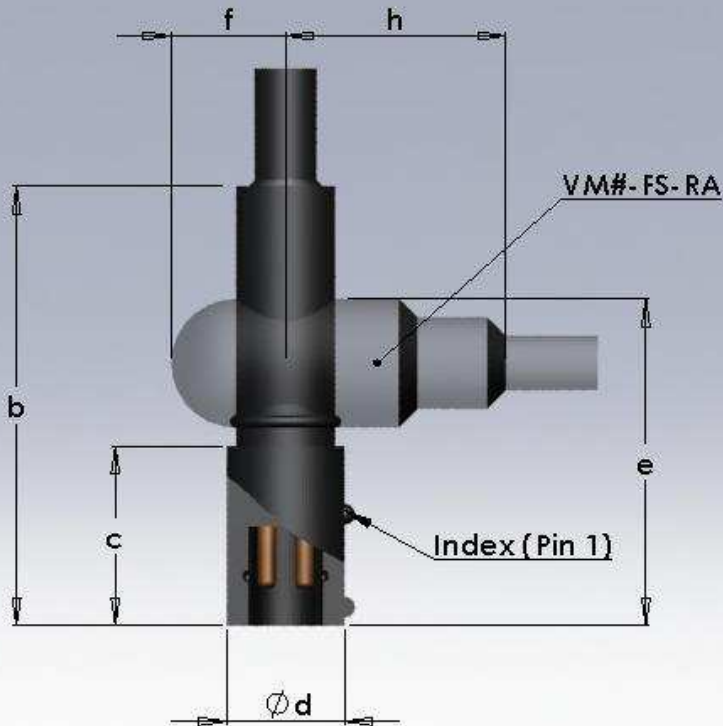


Contact Information

**BIRNS Aquamate™** LLC  
 558 Mineral Spring Ave, Unit BF-127, Pawtucket, RI 02860  
[sales@birnsaquamate.com](mailto:sales@birnsaquamate.com)

Tel: 401-723-4242  
 Fax: 401-723-4243  
[www.birnsaquamate.com](http://www.birnsaquamate.com)

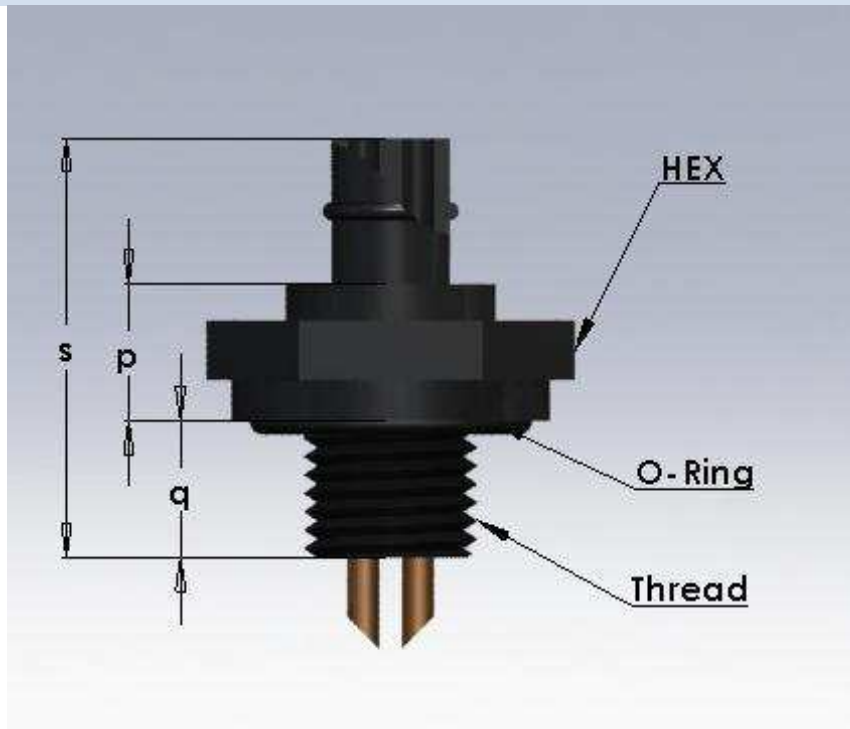
VM#-FS



VM#-MP



VS#-BCL



Contact Information

**BIRNS Aquamate™** LLC

558 Mineral Spring Ave, Unit BF-127, Pawtucket, RI 02860

sales@birnsaquamate.com

Tel: 401-723-4242

Fax: 401-723-4243

www.birnsaquamate.com

RM Data Table			
	Size A	Size G	Size K
Dim. b [mm]	65	73.5	68
Dim. c [mm]	36	28.5	41
Dim. d [mm]	8	19	27
Dim. e [mm]	N/A	54	68
Dim. f [mm]	8.9	19	19
Dim. h [mm]	28	47	47
Dim. j [mm]	16	13	19
Dim. m [mm]	49.5	58.5	46
Dim. p [mm]	4.6	16	16
Dim. q [mm]	15.7	16	25.4
Dim. s [mm]	30.2	48	54
HEX [mm]	11.2	35	41
O-Ring	2-012	2-213	2-217
Thread	5/16-24 UNF-2	3/4-16 UNF-2	1-14 NS-2A

RM Ordering System								Locking sleeve
Size	contacts	RM#-FS	RM#-MP	XS#-BCL	VM#-FS	VM#-MP	VS#-BCL	
A	1	RMA1FS	RMA1MP	XSA1BCL	VMA1FS	VMA1MP	VSA1BCL	FLS-RMA p/n 63A-014 material: Delrin
	2	RMG2FS	RMG2MP	XSG2BCL	VMG2FS	VMG2MP	VSG2BCL	
G	3	RMG3FS	RMG3MP	XSG3BCL	VMG3FS	VMG3MP	VSG3BCL	FLS-G p/n 63A-004 material: Delrin
	4	RMG4FS	RMG4MP	XSG4BCL	VMG4FS	VMG4MP	VSG4BCL	
	5	RMG5FS	RMG5MP	XSG5BCL	VMG5FS	VMG5MP	VSG5BCL	
	6	RMG6FS	RMG6MP	XSG6BCL	VMG6FS	VMG6MP	VSG6BCL	
	6*	RMG6FS-RADIAL	RMG6MP-RADIAL	XSG6BCL-RADIAL				
K	2	RMK2FS	RMK2MP	XSK2BCL	VMK2FS	VMK2MP	VSK2BCL	FLS-K p/n 63A-020 material: Delrin
	3	RMK3FS	RMK3MP	XSK3BCL	VMK3FS	VMK3MP	VSK3BCL	
	4	RMK4FS	RMK4MP	XSK4BCL	VMK4FS	VMK4MP	VSK4BCL	
	5	RMK5FS	RMK5MP	XSK5BCL	VMK5FS	VMK5MP	VSK5BCL	
	6	RMK6FS	RMK6MP	XSK6BCL	VMK6FS	VMK6MP	VSK6BCL	
	8	RMK8FS	RMK8MP	XSK8BCL	VMK8FS	VMK8MP	VSK8BCL	

Contact Information

**BIRNS Aquamate™** LLC

558 Mineral Spring Ave, Unit BF-127, Pawtucket, RI 02860

sales@birnsaquamate.com

Tel: 401-723-4242

Fax: 401-723-4243

www.birnsaquamate.com

Contact Layout - RM		
RMA(contacts:1)	RMG(contacts:2,3,4,5,6)	RMK(contacts:2,3,4,5,6,8)
<p>RMA-1FS</p> <p>1#16 </p>	<p>RMG-2FS</p> <p>1#10 </p> <p>1#14</p> <p>RMG-4FS</p> <p>1#14 </p> <p>3#16</p> <p>RMG-3FS</p> <p>1#10 </p> <p>2#14</p> <p>RMG-5FS</p> <p>1#14 </p> <p>4#16</p> <p>RMG-6FS-RADIAL</p> <p></p> <p>1#14</p> <p>5#16</p> <p>RMG-6FS</p> <p></p>	<p>RMK-2-FS</p> <p>1#10 </p> <p>1#14</p> <p>RMK-5-FS</p> <p>1#10 </p> <p>4#14</p> <p>RMK-3-FS</p> <p>1#10 </p> <p>2#14</p> <p>RMK-6-FS</p> <p>1#14 </p> <p>5#16</p> <p>RMK-4-FS</p> <p>1#10 </p> <p>3#14</p> <p>RMK-8-FS</p> <p>1#14 </p> <p>7#16</p>
VMA(contacts:1)	VMG(contacts:2,3,4)	VMK(contacts:2,3,4,5,6,8)
<p>VMA-1FS</p> <p>1#16 </p>	<p>VMG-2FS</p> <p>1#10 </p> <p>1#14</p> <p>VMG-3FS</p> <p>1#10 </p> <p>2#14</p> <p>VMG-4FS</p> <p>1#14 </p> <p>3#16</p>	<p>VMK-2-FS</p> <p>1#14 </p> <p>1#16</p> <p>VMK-5-FS</p> <p>1#14 </p> <p>4#16</p> <p>VMK-3-FS</p> <p>1#14 </p> <p>2#16</p> <p>VMK-6-FS</p> <p>1#14 </p> <p>5#16</p> <p>VMK-4-FS</p> <p>1#14 </p> <p>3#16</p> <p>VMK-8-FS</p> <p>1#14 </p> <p>7#16</p>

Contact Information

**BIRNS *Aquamate*™ LLC**

558 Mineral Spring Ave, Unit BF-127, Pawtucket, RI 02860

[sales@birnsaquamate.com](mailto:sales@birnsaquamate.com)

Tel: 401-723-4242

Fax: 401-723-4243

[www.birnsaquamate.com](http://www.birnsaquamate.com)

Mating Options Within The RM Family				
RMA-FS	Mates to	RMA-MP	And	XSA-BCL
VMA-FS	Mates to	VMA-MP	And	VSA-BCL
RMG-FS	Mates to	RMG-MP	And	XSG-BCL
VMG-FS	Mates to	VMG-MP	And	VSG-BCL
RMK-FS	Mates to	RMK-MP	And	XSK-BCL
VMK-FS	Mates to	VMK-MP	And	VSK-BCL

Specification - RM			
Operational		Material	
Max Current	12A	Molding	Low Carbon Neoprene
Max Voltage	600V	Bulkhead	Glass reinforced epoxy
Insulation	>250megaohm	Contacts	Gold plated per MIL-G 45204 Type II, Grade D, Class 00
Contacts	<0.01 ohm	Pin	Brass
Matings	>750	Sockets	Beryllium Copper
Temperature	-5C - +65C	Location Pin	316 Stainless
Depth	>600 bar	In-line cable	60cm, AWG 18 (0.82 mm <sup>2</sup> ) 16/30 stranding

Wire Color Code RM							
Designated wire	Number of contacts on connector						
	1	2	3	4	5	6	8
Wire 1	Black	Black	Black	Black	Black	Black	Black
Wire 2		White	White	White	White	White	White
Wire 3			Green	Red	Red	Red	Red
Wire 4				Green	Green	Green	Green
Wire 5					Orange	Orange	Orange
Wire 6						Blue	Blue
Wire 7							White/Black
Wire 8							Red/Black
Cable OD [mm]	3.5	7.5	8.1	9	12	12.3	13.5
Current [A]	12	12	12	12	12	10	10

## Contact Information

**BIRNS *Aquamate*™ LLC**

558 Mineral Spring Ave, Unit BF-127, Pawtucket, RI 02860

sales@birnsaquamate.com

Tel: 401-723-4242

Fax: 401-723-4243

www.birnsaquamate.com