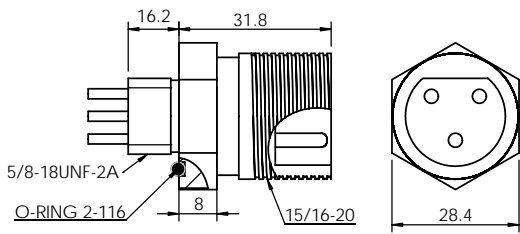
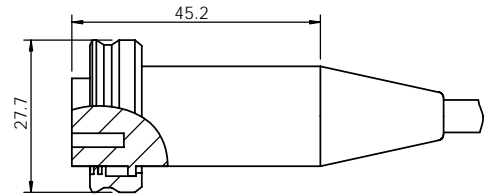




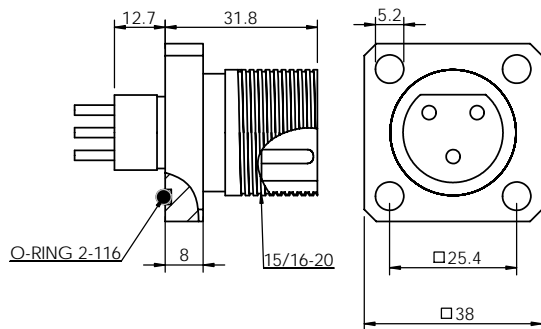
BCR-5507-1503



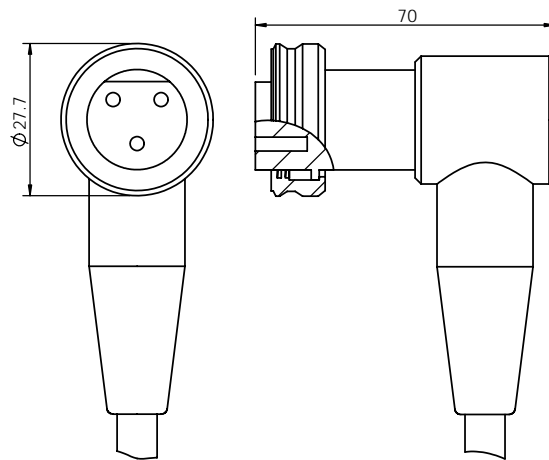
CCP-5501



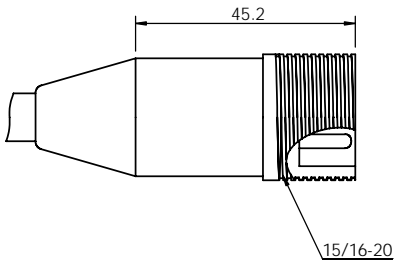
FCR-5506-1503



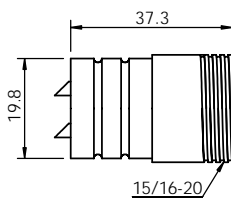
CCP-RA-55R1-1503



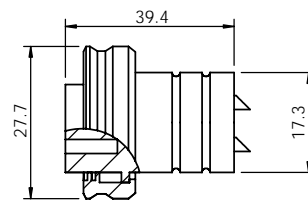
CCR-5502



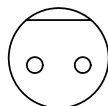
CCR-AT-55A2



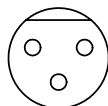
CCP-AT-55A1



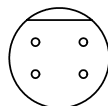
PIN LAYOUT



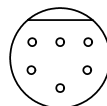
AWG 16
1502



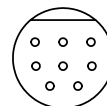
AWG 16
1503



AWG 18
1504



AWG 18
1506



AWG 18
1508



Metal Shell 5500 Series Shell Size 15 2-8 Pins

Operation Specifications

Max Current –	1502	15A	(16 AWG)
	1503	15A	(16 AWG)
	1504	12A	(18 AWG)
	1506	12A	(18 AWG)
	1508	12A	(18 AWG)

Max Voltage	600V
Insulation	>250megaohm
Contacts	<0.01 ohm
Matings	>750
Temperature	-5C - +65C
Depth	>600 bar (10K PSI)

Material Specifications

Molding	Low Carbon Neoprene
Bulkhead	316 Stainless (Titanium, Aluminium optional)
Contacts	Gold plated per MIL-G 45204 Type II, Grade D, Class 00
Pin	Brass
Sockets	Beryllium Copper
O-ring	2-116 Nitrile
Locking Sleeve Material	316 Stainless, Titanium
In-line cable	AWG 18 60cm, (0.82mm ²) 16/30 stranding
	AWG 16 60cm (1.32mm ²) 26/30 stranding
BH leads	AWG 18 30cm, Teflon, 19/30
	AWG 16 30cm, Teflon 19/29

Cable Diameter

2 cond	OD 8.0MM (0.31")
3 cond	OD 14.2mm (0.56")
4 cond	OD 15.2mm (0.60")
6 cond	OD 18.3mm (0.72")
8 cond	OD 15.1mm (0.60")

Color Code

1-Blue, 2-Brown
1-Black, 2-White, 3-Green
1-Black, 2-White, 3-Red, 4-Green
1-Black, 2-White, 3-Red, 4-Green, 5-Orange, 6-Blue
7- White/Black, 8-Red/Black