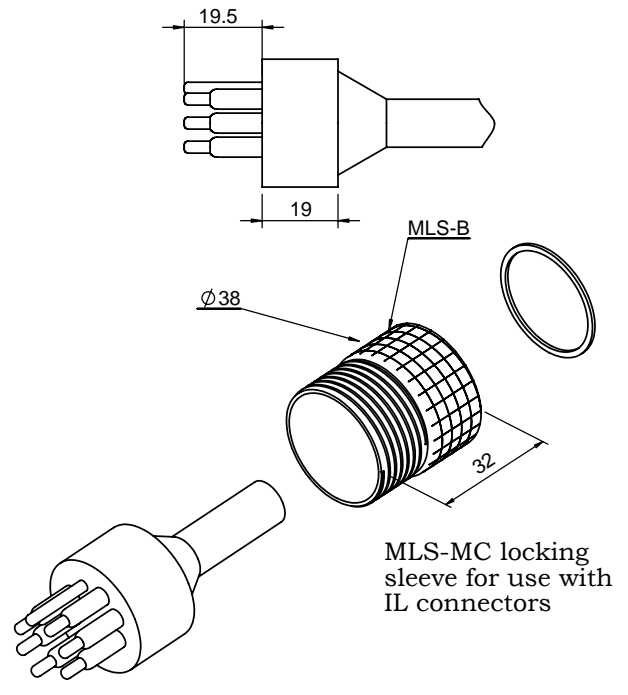
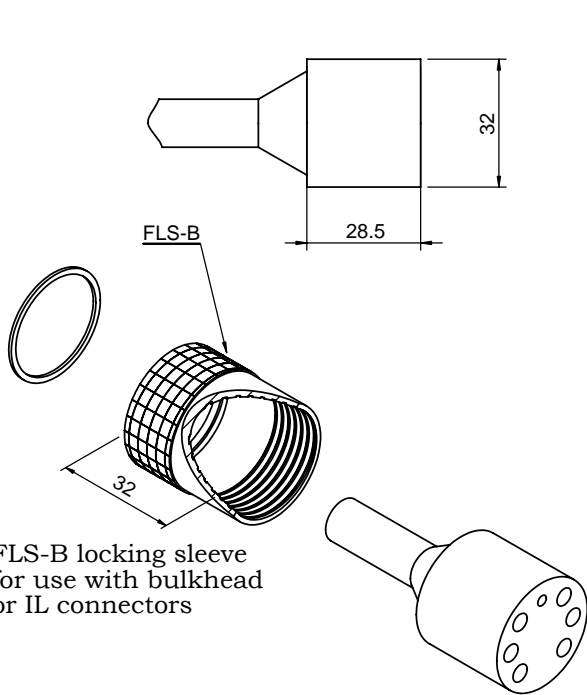




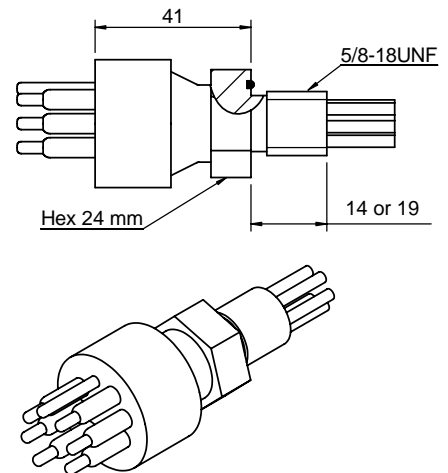
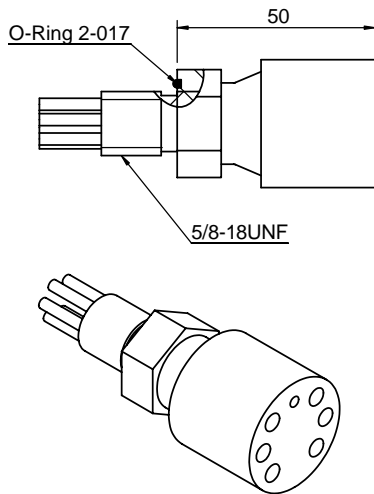
SC-IL6F

SC-IL6M

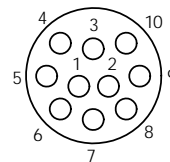
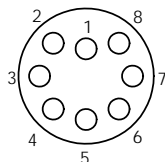
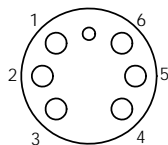


SC-BH6F

SC-BH6M



PIN LAYOUT (FEMALE)





Standard Circular (SC) Series 6-10 pins

Operation Specifications

Max Current	10A
Max Voltage	600V
Insulation	>250megaohm
Contacts	<0.01 ohm
Matings	>750
Temperature	-5C - +65C
Depth	>600 bar

Material Specifications

Molding	Low Carbon Neoprene
Bulkhead	Brass, 316 Stainless, Titanium
Contacts	Gold plated per MIL-G 45204 Type II, Grade D, Class 00
Pin	Phosphor Bronze
Sockets	Beryllium Copper
Location Pin	316 Stainless
O-ring	2-017 Nitrile
Locking Sleeve Material	Delrin
Locking Sleeve Type:	FLS-B, MLS-B
In-line cable	60cm, AWG 18 (0.82mm ²) 16/30 stranding
BH leads	30cm, AWG 18 Teflon, (0.97mm ²) 19/30 stranding

Cable Diameter and Current

Color Code

6 conductor OD 12.3mm	10A	1-Blk, 2-White, 3-Red, 4-Green, 5-Orange, 6-Blue
8 conductor OD 13.5mm	10A	7-White/Black, 8-Red/Black
10 conductor OD 15.0mm	10A	9-Green/Black, 10-Orange/Black