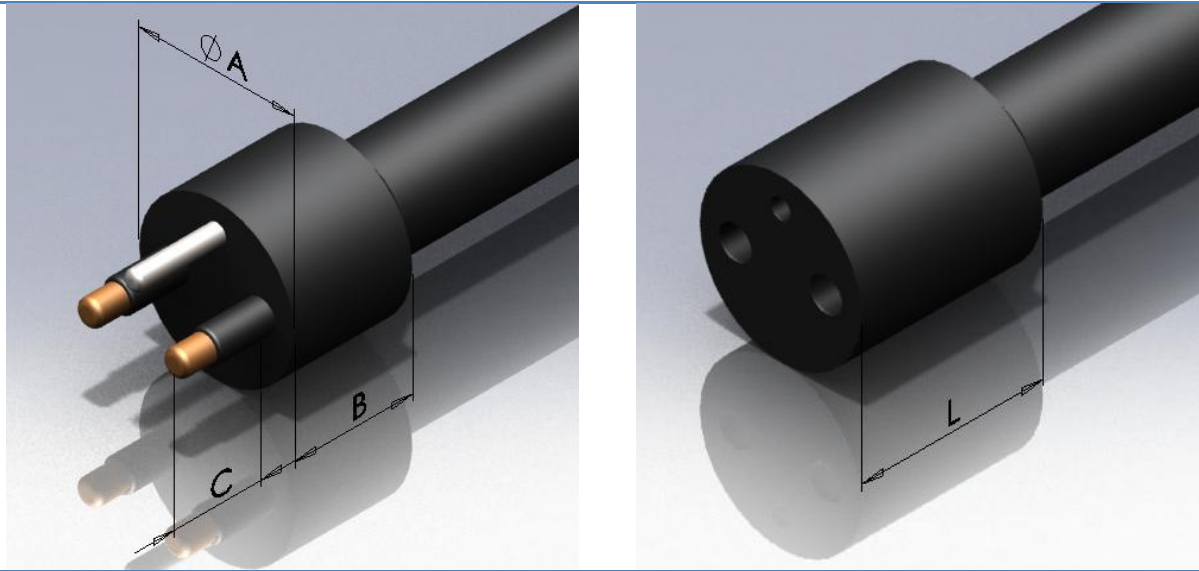


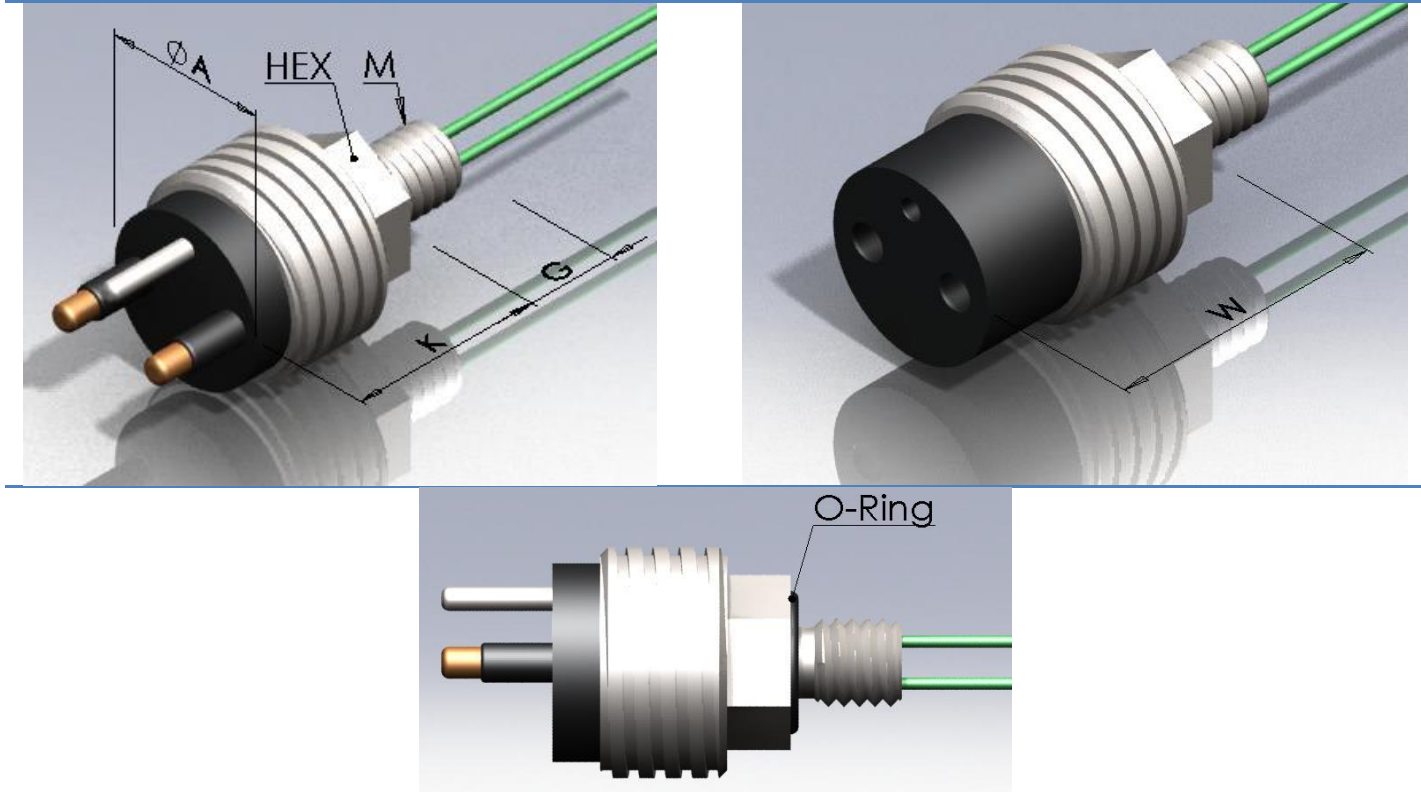
Heavy Duty (HD)

Inline Connector (HDIL)



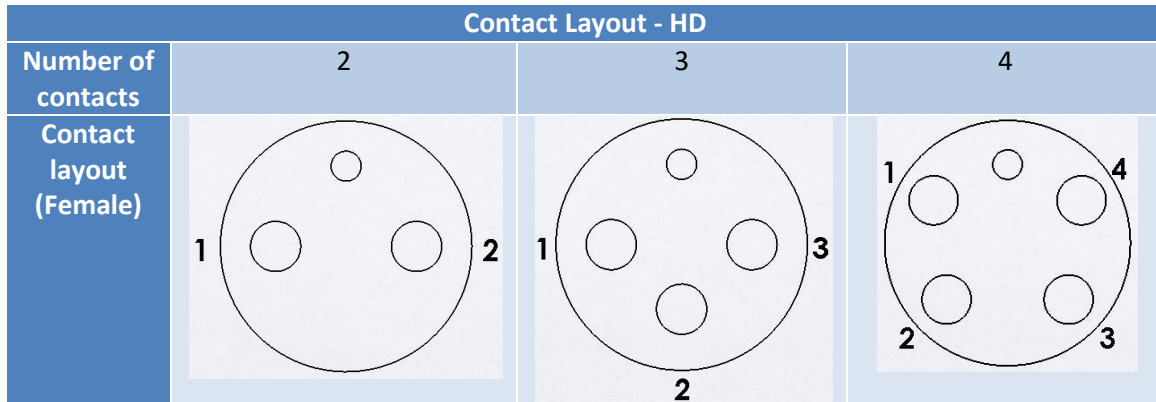
HDIL Data Table			
Number of contacts	2	3	4
Dim. A [mm]	25	25	25
Dim. B [mm]	19	19	19
Dim. C [mm]	14	14	14
Dim. L [mm]	28	28	28
Locking Sleeve Type:	FLS-MCA, MLS-MCA	FLS-MCA, MLS-MCA	FLS-MCA, MLS-MCA
Cable OD [mm]	15.2	16.1	17
Cable current [A]	30	30	30
Ordering number for Male	HDIL2M	HDIL3M	HDIL4M
Ordering number for Female	HDIL2F	HDIL3F	HDIL4F

Bulk Head connector (HDBH)



HDBH Data Table			
Number of contacts	2	3	4
M[inch thread]	5/8-18 UNF	5/8-18 UNF	5/8-18 UNF
Dim. A [mm]	25	25	25
Dim. K [mm]	30	30	30
Dim. G [mm]	14 or 19	14 or 19	14 or 19
HEX [mm]	24	24	24
Dim. W [mm]	39	39	39
O-Ring [material: Nitrile]	2-017	2-017	2-017
Locking Sleeve Type:	FLS-MCA, MLS-MCA	FLS-MCA, MLS-MCA	FLS-MCA, MLS-MCA
Ordering number for Male	HDBH2M	HDBH3M	HDBH4M
Ordering number for Female	HDBH2F	HDBH3F	HDBH4F

HD data



Specification - HD			
Operational		Material	
Max Current	30A	Molding	Low Carbon Neoprene
Max Voltage	600V	Bulkhead	Brass, 316 Stainless, Titanium
Insulation	>250megaohm	Contacts	Gold plated per MIL-G 45204 Type II, Grade D, Class 00
Contacts	<0.01 ohm	Pin	Phosphor Bronze
Matings	>750	Sockets	Beryllium Copper
Temperature	-5C - +65C	Location Pin	316 Stainless
Depth	>600 bar	In-line cable	60cm, AWG 12 (3.29mm ²) Neoprene 65/30 stranding
		BH leads	30cm, AWG 12 Teflon, 19/25 stranding

Wire Color Code - HDIL			
Designated wire	Number of contacts on connector		
	2	3	4
Wire 1	Black	Black	Black
Wire 2	White	White	White
Wire 3		Green	Red
Wire 4			Green