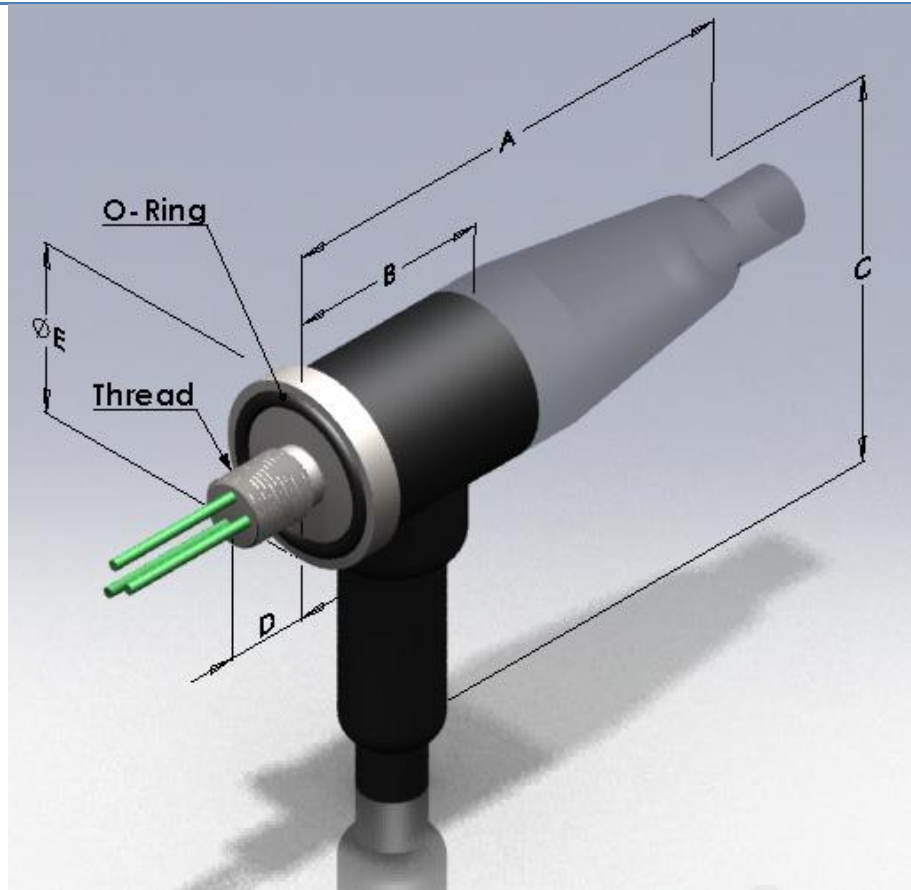


Penetrator (PN)



PN Data Table		
	Size B	Size C
Dim. A [mm]	63.5	106
Dim. B [mm]	28.2	36
Dim. C [mm]	60.5	67
Dim. D [mm]	16	25
Dim. E [mm]	25.4	38
O-Ring [material: Nitrile]	2-017	2-213
Thread	1/2-20 UNF-2A	3/4-16 UNF-2A
Ordering number	PN-B#	PN-C#
Ordering number for "Right Angle"	PN-B#-RA	PN-C#-RA
Not: # stands for number of conductors	Examples: For B size with 6 wires: "PN-B6" For C size with 4 wires that is right angled: "PN-C4-RA"	

PN data

Specification - PN			
Operational		Material	
Max Current	15A	Molding	Low Carbon Neoprene
Max Voltage	600V	Threaded Insert	316 Stainless, Titanium
Insulation	>250megaohm	In-line cable	AWG 18 (0.82 mm ²) 16/30 stranding AWG 20, AWG 16 also available upon request
Contacts	<0.01 ohm		
Temperature	-8C - +70C		
Depth	>700 bar		

Cable Diameter And Current PN							
Number of wires	2	3	4	5	6	7	8
Cable OD [mm]	7.5	8.1	9	12	12.3	13	13.5
Current [A]	12	12	12	12	10	10	10
Note:	For additional wire numbers and ratings contact manufacturer						