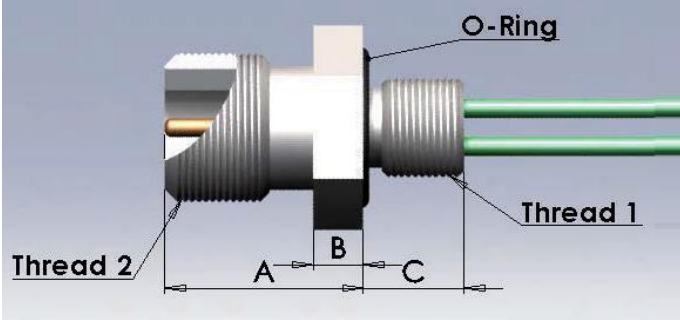
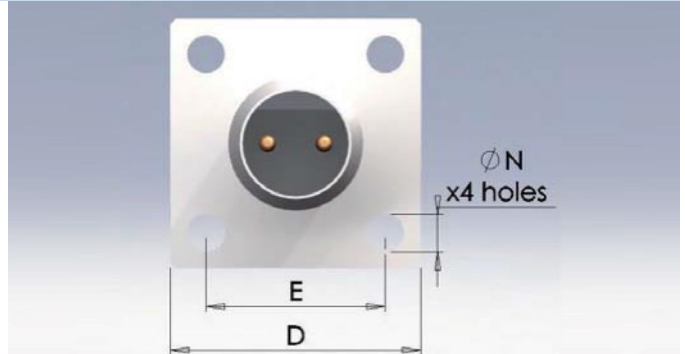
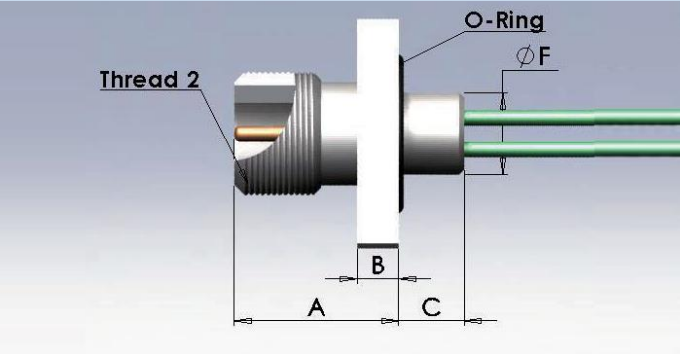


**BIRNS Aquamate LLC**  
5500 SERIES

BCR (5507)



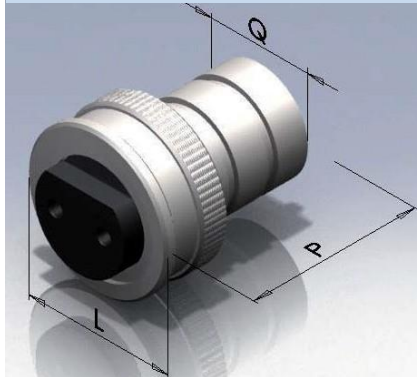
FCR (5506)



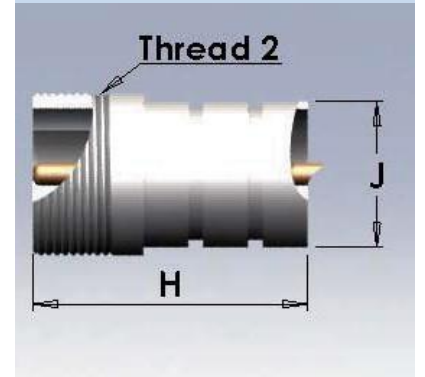
CCR (5502)



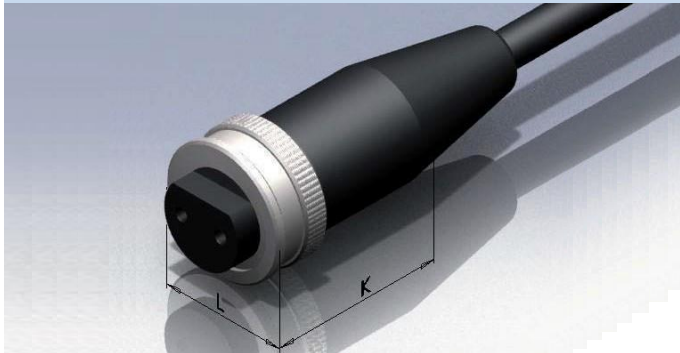
CCP-AT (55A1)



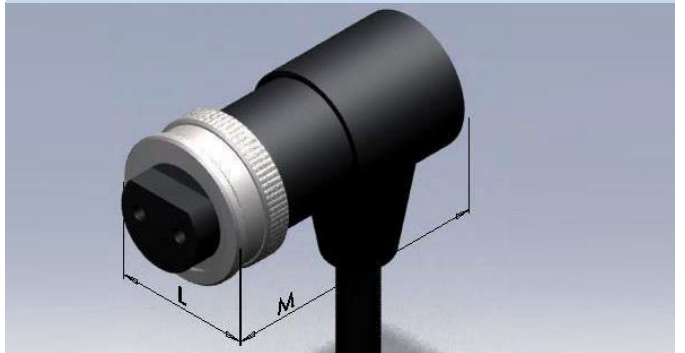
CCR-AT (55A2)



CCP (5501)



CCP-RA (55R1)



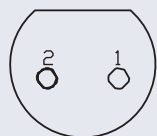
5500 SERIES Data Table			
Shell Size	15	20	24
O-Ring (Nitrile)	2-116	2-118	2-122
Thread 1	5/8-18UNF-2A	3/4-16UNF-2A	1-14UNF-2A
Thread 2	15/16-20	1 1/4-9	1 1/2-9
HEX [mm]	28.4(1.12 IN.)	31.8(1.25 IN.)	38.1(1.5 IN.)
O-Ring 2	Contact MFG.	Contact MFG.	Contact MFG.
Dim. A [mm]	31.8	38.0	38.1
Dim. B [mm]	8.0	9.5	9.5
Dim. C [mm]	12.7	12.7	12.7
Dim. D [mm]	38.0	44.5	50.8
Dim. E [mm]	25.4	31.8	38.1
Dim. F [mm]	17.2	18.9	25.15
Dim. G [mm]	45.2	62.0	124.0
Dim. H [mm]	37.3	40.4	42.7
Dim. J [mm]	19.8	27.0	33.5
Dim. K [mm]	45.2	62.0	124.0
Dim. L [mm]	27.7	38.0	44.5
Dim. M [mm]	70.0	82.0	98.3
Dim. N [mm]	5.2	7.0	7.4
Dim. P [mm]	39.4	42.0	42.2
Dim. Q [mm]	17.3	27.7	33.6

5500 SERIES Ordering Table					
55	0	1	-20	13	-0003
Series	A-Attachable C-Cap (dust cap) P-Pressure Balanced (oil filled) R-Right Angle 0-600V Standard 1-1000V	Model Type: 1-CCP 2-CCR 6-FCR 7-BCR	Shell Size 15 20 24	Number Of Contacts 15 - 2,3,4,6,8 20 - 3,4,6,8,13,21 24 - 10,12,20	Length In Feet
Example:	55A1-1502-001 designates the following: series 55, attachable, model CCP, shell size 15, two contacts and length of one foot				

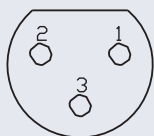
## 5500 SERIES DATA

### Contact Layout (Female) - 5500 SERIES

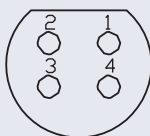
#### SHELL SIZE 15



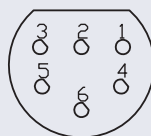
1502  
AWG 14



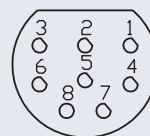
1503  
AWG 14



1504  
AWG 16

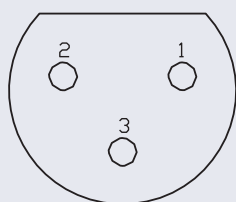


1506  
AWG 16

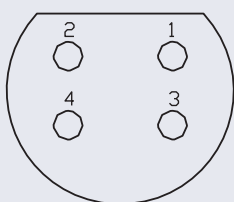


1508  
AWG 16

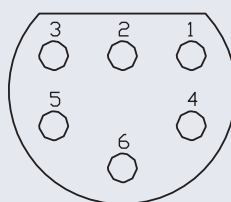
#### SHELL SIZE 20



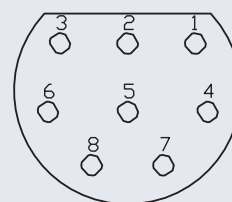
2003  
AWG 10



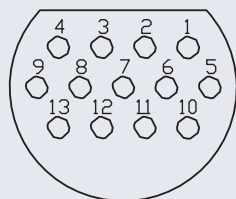
2004  
AWG 10



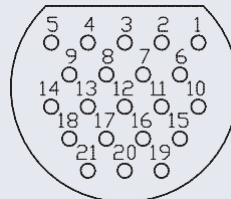
2006  
AWG 10



2008  
AWG 14

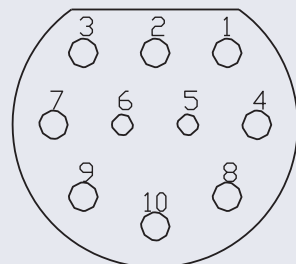


2013  
AWG 16

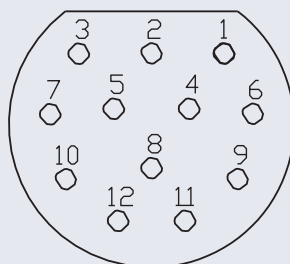


2021  
AWG 16

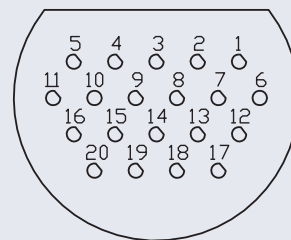
#### SHELL SIZE 24



2410  
8 Pins are AWG 10  
2 Pins are AWG 14



2412  
AWG 14



2420  
AWG 16