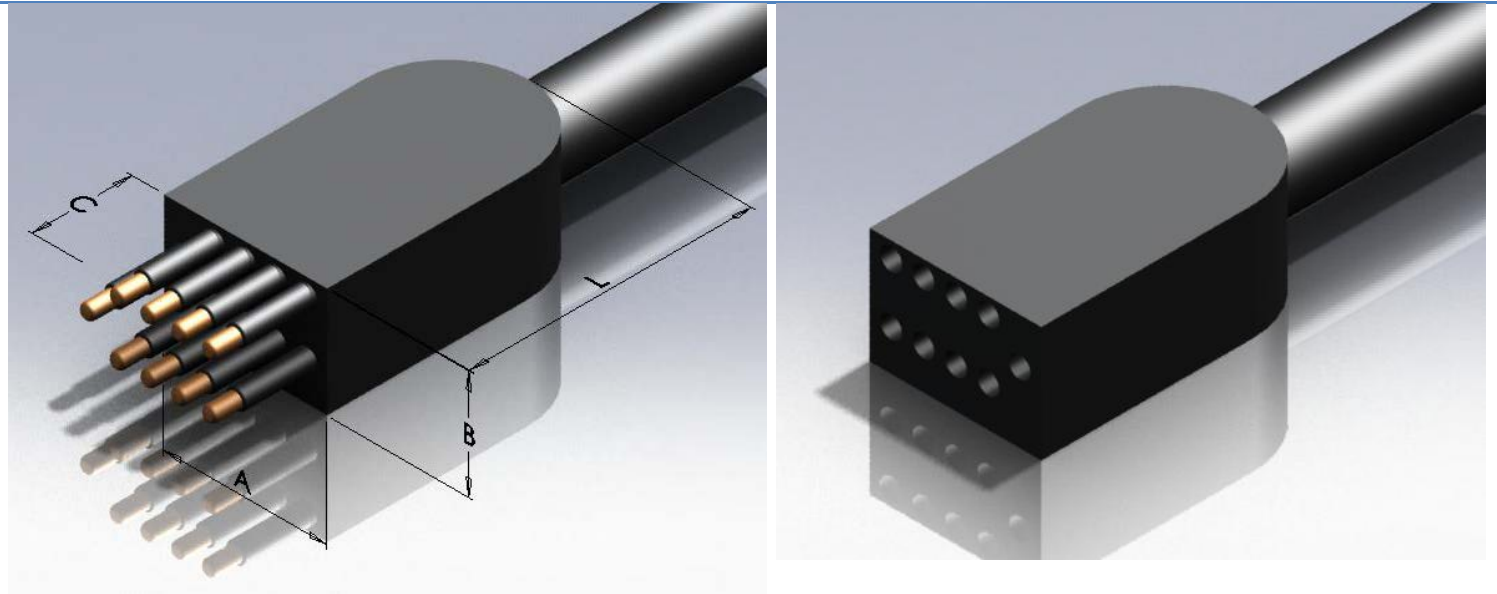


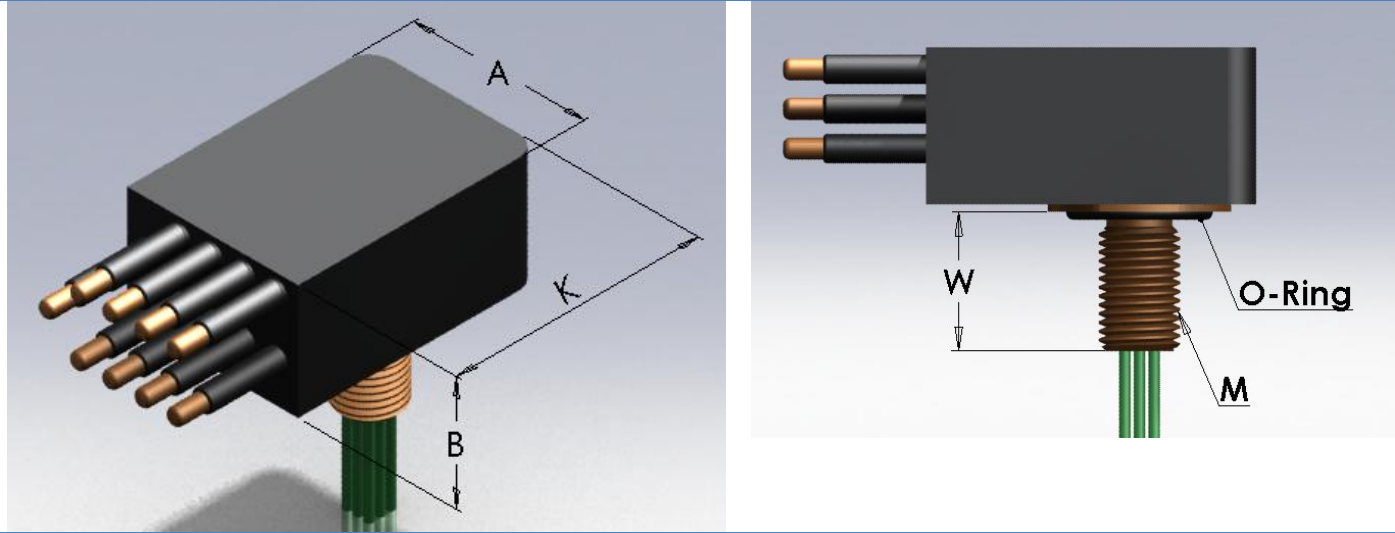
Low Profile (LP)

Inline Connector (LPIL)



LPIL Data Table						
Number of contacts	2	3	4	6	7	9
Dim. A [mm]	25	25	25	25	25	31.8
Dim. B [mm]	16	16	16	18.6	18.6	21.4
Dim. C [mm]	19.5	19.5	19.5	19.5	19.5	19.5
Dim. L [mm]	42.5	42.5	42.5	50	50	55
Cable OD [mm]	6	6.7	7	7.5	8	9.5
Cable current [A]	8	8	8	8	7	7
Ordering number for Male	LPIL2M	LPIL3M	LPIL4M	LPIL6M	LPIL7M	LPIL9M
Ordering number for Female	LPIL2F	LPIL3F	LPIL4F	LPIL6F	LPIL7F	LPIL9F

**Bulk Head Connector (LPBH)**



LPBH Data Table						
Number of contacts	2	3	4	6	7	9
Dim. A [mm]	25	25	25	25	25	31.8
Dim. B [mm]	16	16	16	18.6	18.6	21.4
M[inch thread]	7/16-20 UNF	7/16-20 UNF	7/16-20 UNF	7/16-20 UNF	7/16-20 UNF	7/16-20 UNF
Dim. K [mm]	32	32	32	44	44	45
Dim. W [mm]	12.5; 19; 25	12.5; 19; 25	12.5; 19; 25	12.5; 19; 25	12.5; 19; 25	19; 25
O-Ring [material: Nitrile]	2-014	2-014	2-014	2-014	2-014	2-014
Ordering number for Male	LPBH2M	LPBH3M	LPBH4M	LPBH6M	LPBH7M	LPBH9M
Ordering number for Female	LPBH2F	LPBH3F	LPBH4F	LPBH6F	LPBH7F	LPBH9F

LP data

Contact Layout - LP						
Number of contacts	2	3	4	6	7	9
Contact layout (Female)						
Contact layout (Male)						

Specification - LP			
Operational		Material	
Max Current	2-4 contacts: 12A 6-9 contacts: 10A	Molding	Low Carbon Neoprene
Max Voltage	600V	Bulkhead	2-4 contacts: Brass, 316 Stainless, Titanium 6-9 contacts: Brass
Insulation	>250 megaohm	Contacts	Gold plated per MIL-G 45204 Type II, Grade D, Class 00
Contacts	<0.01 ohm	Pin	Phosphor Bronze
Matings	>750	Sockets	Beryllium Copper
Temperature	-5C - +65C	Location Pin	316 Stainless
Depth	>600 bar	In-line cable	60cm, AWG 18 (0.82 mm <sup>2</sup> ) 16/30 stranding
		BH leads	30cm, AWG 18 Teflon, (0.97 mm <sup>2</sup> ) 19/30 stranding

Wire Color Code - LPIL						
Designated wire	Number of contacts on connector					
	2	3	4	6	7	9
Wire 1	Black	Black	Black	Black	Black	Black
Wire 2	White	White	White	White	White	White
Wire 3		Green	Red	Red	Red	Red
Wire 4			Green	Green	Green	Green
Wire 5				Orange	Orange	Orange
Wire 6				Blue	Blue	Blue
Wire 7					White/Black	White/Black
Wire 8						Red/Black
Wire 9						Green/Black