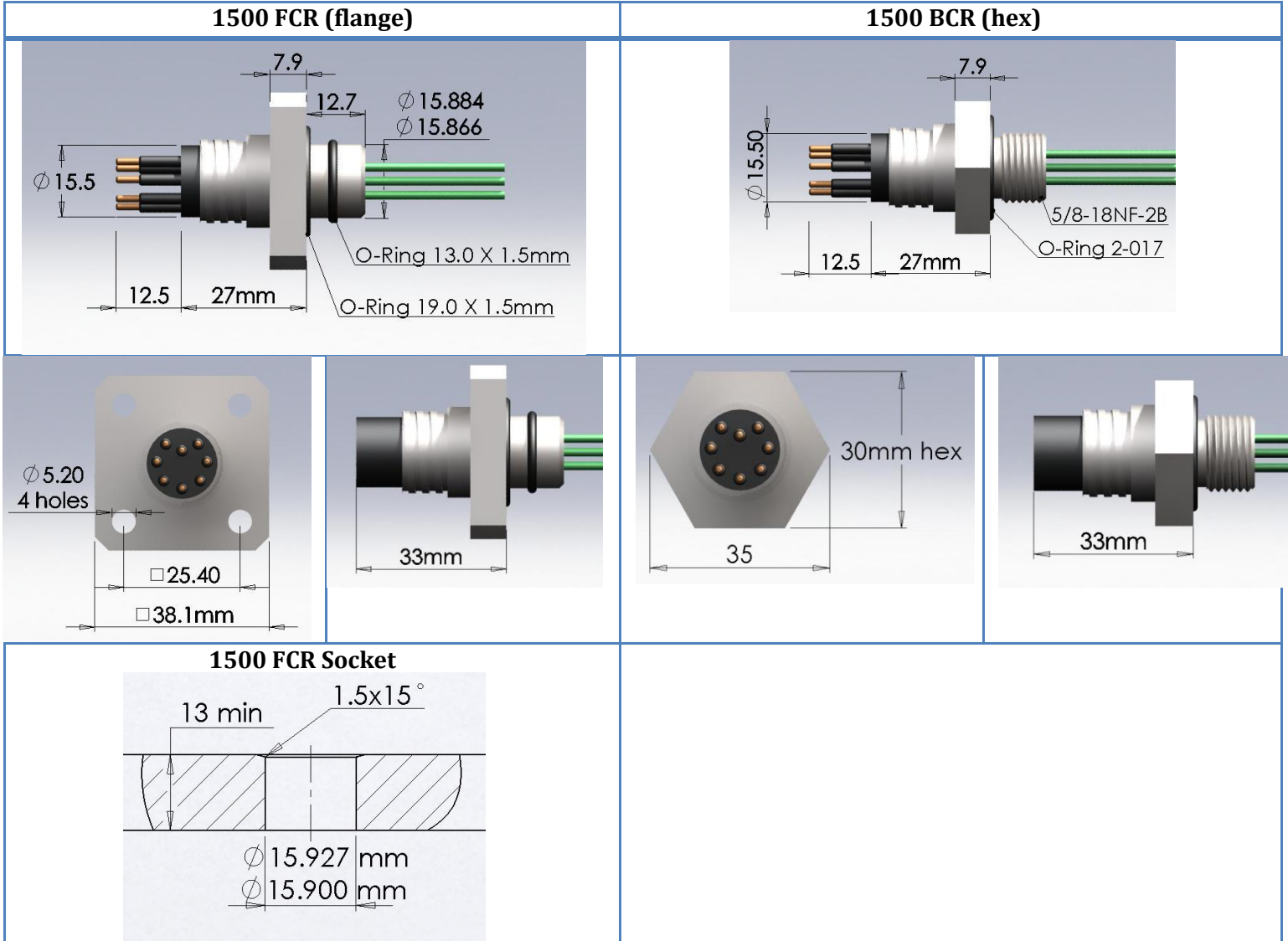


**METAL SHELL (MS)**

**METAL SHELL 1500 SERIES**

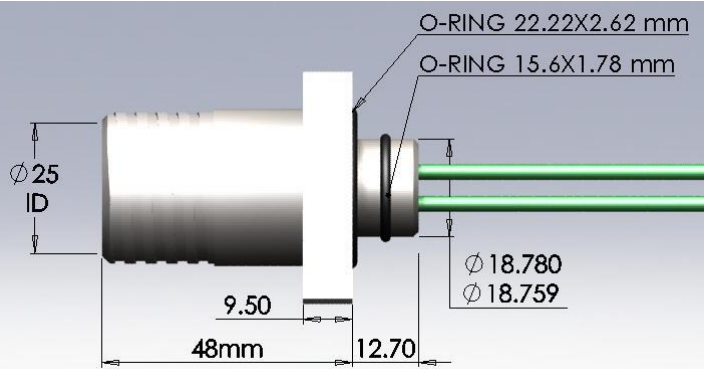


**METAL SHELL 1500 SERIES Data Table**

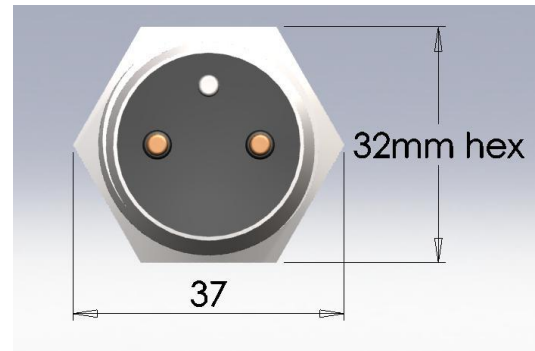
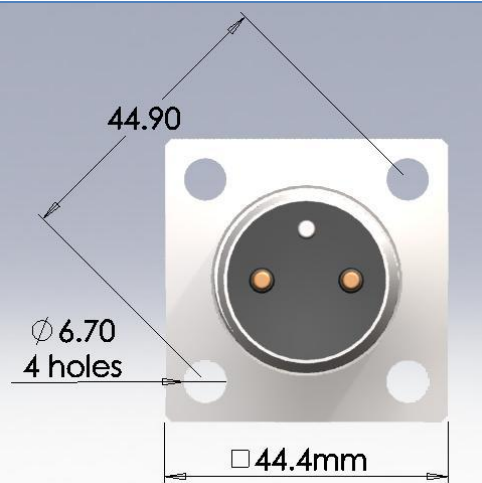
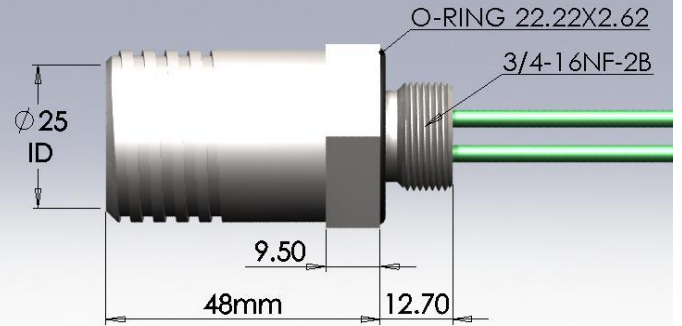
Number of contacts	2	3	4	5	6	8
Ordering number FCR Female	FCR1502F	FCR1503F	FCR1504F	FCR1505F	FCR1506F	FCR1508F
Ordering number FCR Male	FCR1502M	FCR1503M	FCR1504M	FCR1505M	FCR1506M	FCR1508M
Ordering number BCR Female	BCR1502F	BCR1503F	BCR1504F	BCR1505F	BCR1506F	BCR1508F
Ordering number BCR Male	BCR1502M	BCR1503M	BCR1504M	BCR1505M	BCR1506M	BCR1508M
Locking Sleeve Type:	FLS-MC	FLS-MC	FLS-MC	FLS-MC	FLS-MC	FLS-MC
Note:	Compatible with MC series 2-8					

**METAL SHELL 2000 SERIES**

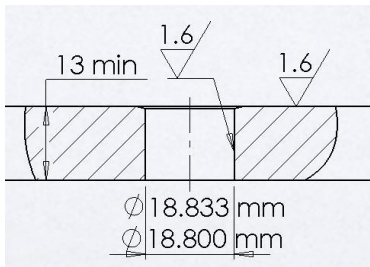
**2000 FCR (flange)**



**2000 BCR (hex)**



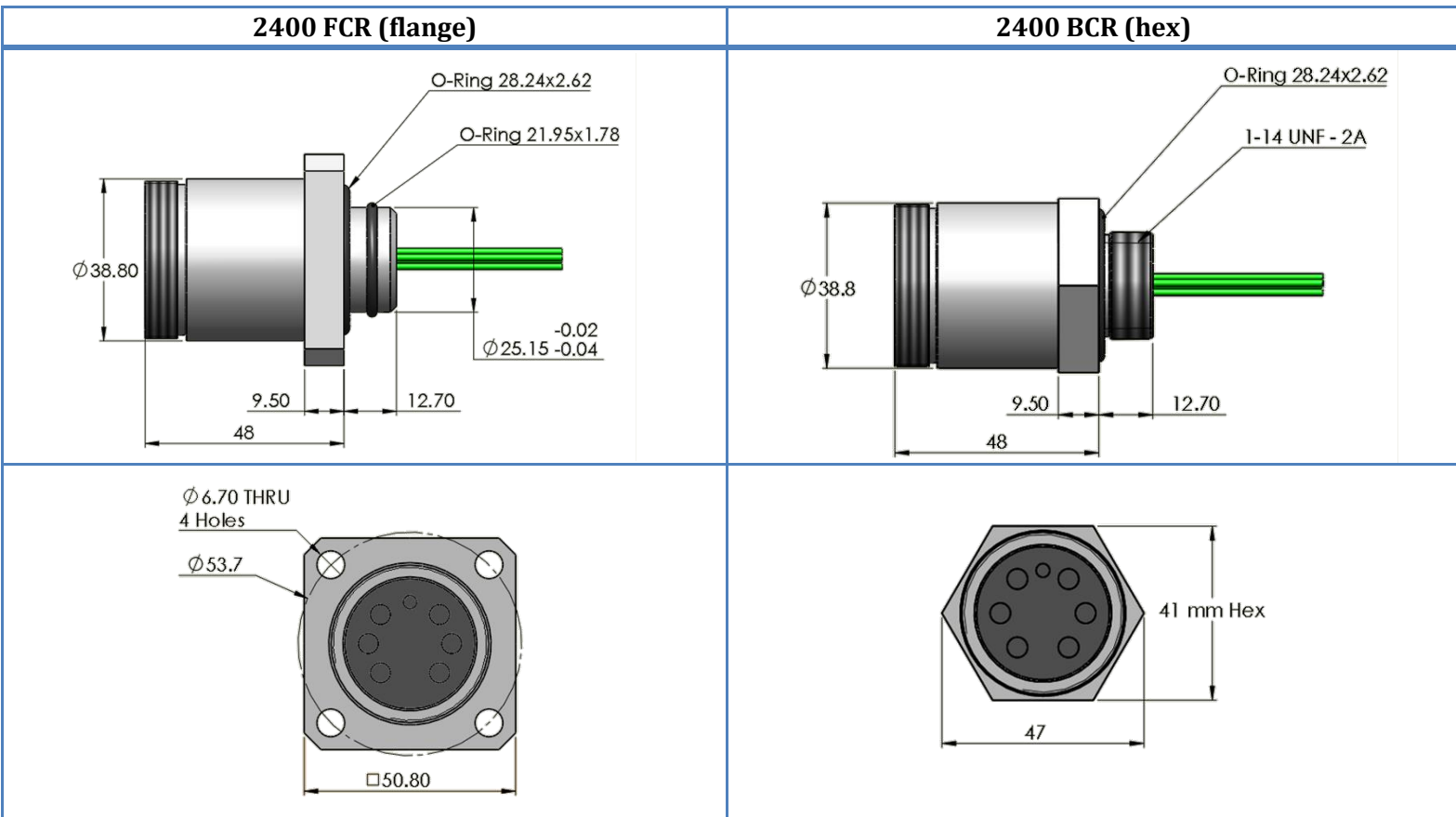
**2000 FCR Socket**



**METAL SHELL 2000 SERIES Data Table**

	2	3	4	10	12
<b>Number of contacts</b>	2	3	4	10	12
<b>Ordering number FCR Female</b>	FCR2002F	FCR2003F	FCR2004F	FCR2010F	FCR2012F
<b>Ordering number FCR Male</b>	FCR2002M	FCR2003M	FCR2004M	FCR2010M	FCR2012M
<b>Ordering number BCR Female</b>	BCR2002F	BCR2003F	BCR2004F	BCR2010F	BCR2012F
<b>Ordering number BCR Male</b>	BCR2002M	BCR2003M	BCR2004M	BCR2010M	BCR2012M
<b>Locking Sleeve Type:</b>	LS-2000	LS-2000	LS-2000	LS-2000	LS-2000
<b>Mating Cable</b>	SCIL2F/M	SCIL3F/M	SCIL4F/M	MCIL10F/M	MCIL12F/M

**METAL SHELL 2400 SERIES**



METAL SHELL 2400 SERIES Data Table			
Number of contacts	6	8	10
Ordering number FCR Female	FCR2406F	FCR2408F	FCR2410F
Ordering number FCR Male	FCR2406M	FCR2408M	FCR2410M
Ordering number BCR Female	BCR2406F	BCR2408F	BCR2410F
Ordering number BCR Male	BCR2406M	BCR2408M	BCR2410M
Locking Sleeve Type:	LS-2400	LS-2400	LS-2400
Mating Cable	SCIL6F/M	SCIL8F/M	SCIL10F/M

METAL SHELL data

Contact Layout – METAL SHELL						
# contacts	2	3	4	5	6	8
Contact layout 1500 series (Female)						
# contacts	2	3	4	10	12	
Contact layout 2000 series (Female)						
# contacts	6	8	10			
Contact layout 2400 series (Female)						

Specification - METAL SHELL			
Operational		Material	
Max Current	1500 series: 8A 2000 series: 12A 2400 series: 12A	Molding	Low Carbon Neoprene
Max Voltage	1500 series: 300V 2000 series: 600V 2400 series: 600V	Bulkhead	316 Stainless, Titanium
Insulation [mega ohm]	1500 series: 200 2000 series: 250 2400 series: 250	Contacts	Gold plated per MIL-G 45204 Type II, Grade D, Class 00
Contacts	<0.01 ohm	Pin	Phosphor Bronze
Matings	>750	Sockets	Beryllium Copper
Temperature	-5C - +65C	Location Pin	316 Stainless
Depth	>600 bar	BH leads	1500 series: 30cm, AWG 20 Teflon, (0.6 mm <sup>2</sup> ) 19/32 stranding 2000 series, 2,3,4 contacts: 30cm, AWG 18 Teflon, (0.97 mm <sup>2</sup> ) 19/30 stranding 2000 series, 10,12 contacts: 30cm, AWG 20 Teflon, (0.6 mm <sup>2</sup> ) 19/32 stranding 2400 series: 30cm, AWG 18 Teflon, (0.97 mm <sup>2</sup> ) 19/30 stranding